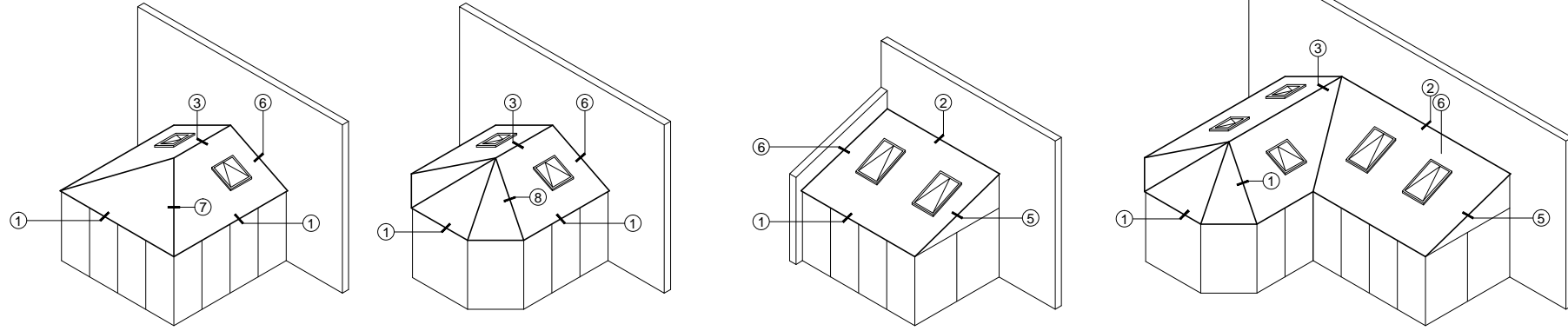


KEY

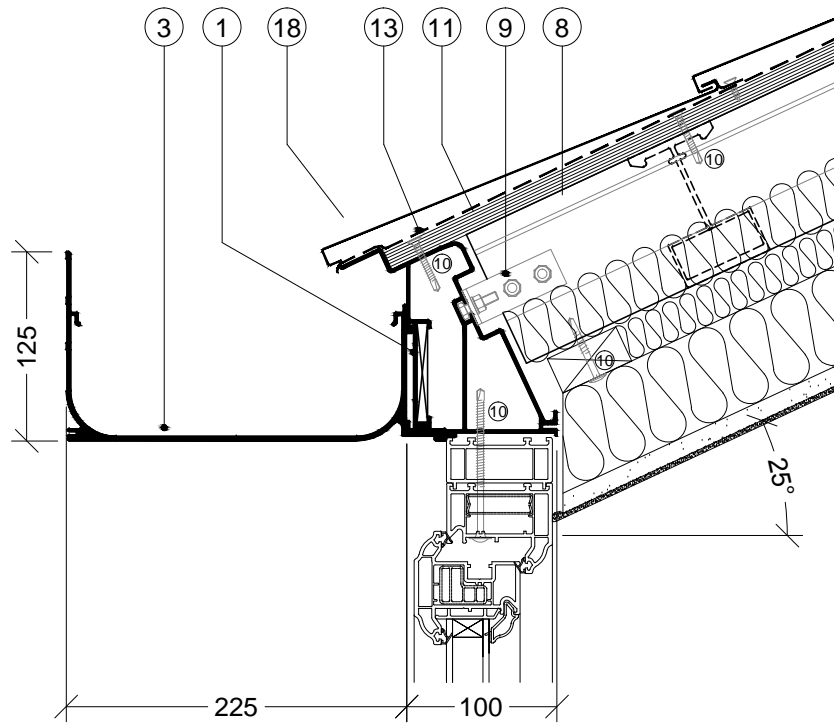


LEGEND

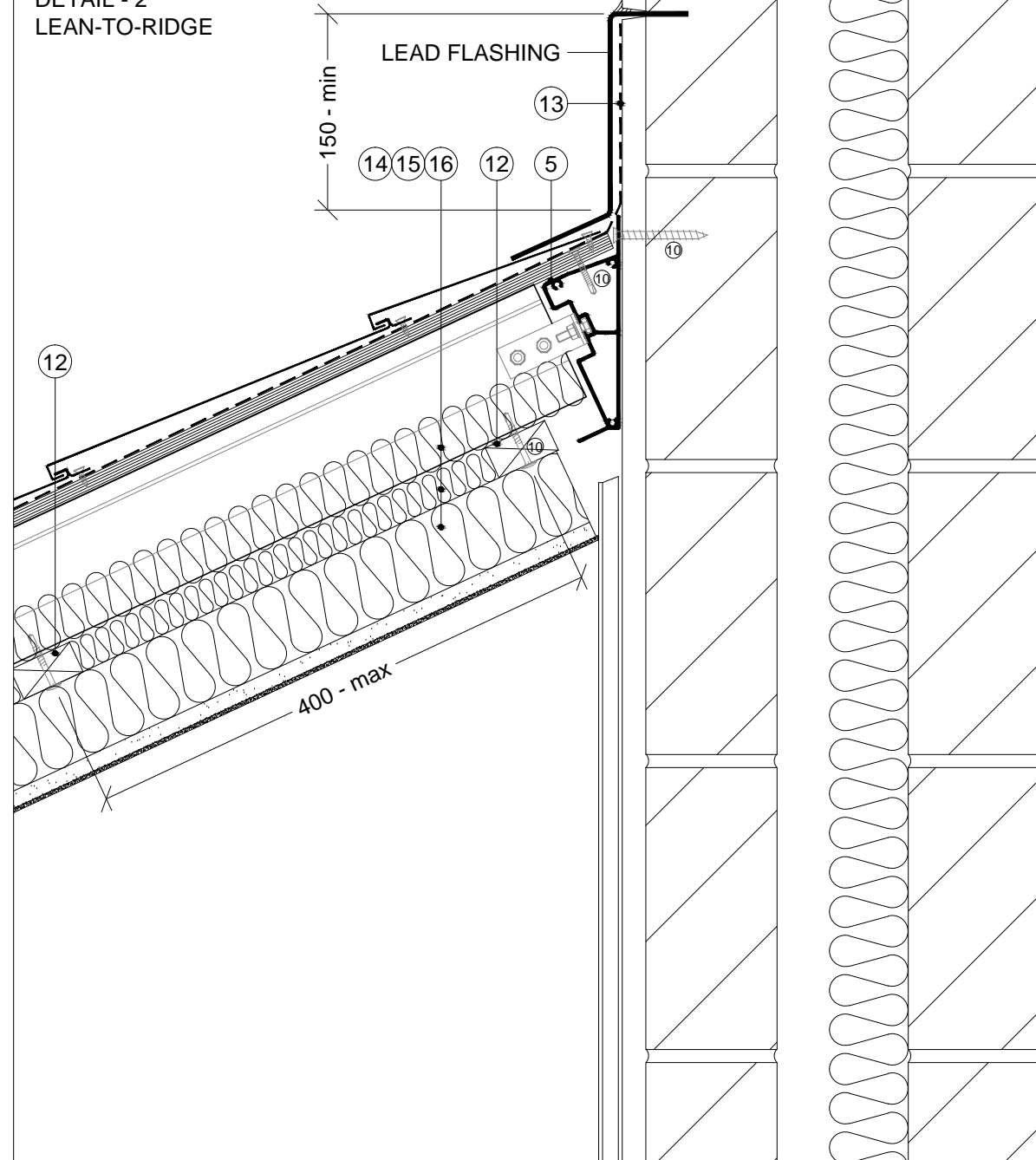
GUARDIAN ROOF SYSTEM PROFILES & ACCESSORIES

- | | |
|--------------------------------|-----------------------------------|
| 1. RINGBEAM | 11. PLYWOOD SHEETS |
| 2. RING BEAM ANGLE | 12. TREATED TIMBER BATTEN 25*50mm |
| 3. BOX GUTTER | 13. VAPOUR PERMEABLE UNDERLAY |
| 4. VICTORIAN / EDWARDIAN RIDGE | 14. 25mm INSULATION BOARD |
| 5. LEAN-TO RIDGE | 15. 40mm INSULATION BOARD |
| 6. VICTORIAN HIP | 16. 72mm INSULATED PLASTERBOARD |
| 7. GEORGIAN HIP | 17. WATERCOURSE |
| 8. RAFTER/GABLE | 18. ROOF TILE |
| 9. CLEAT | 19. RIDGE TILE |
| 10. SCREW FIXINGS | 20. FOAM TAPE |

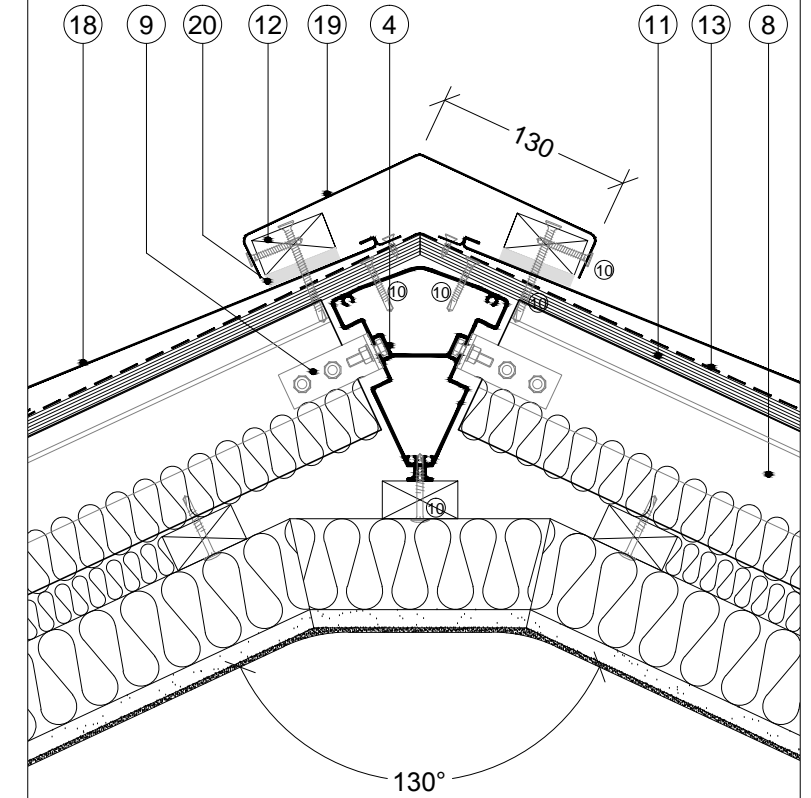
DETAIL - 1
RINGBEAM & BOX GUTTER



DETAIL - 2
LEAN-TO-RIDGE



DETAIL - 3
VICTORIAN / EDWARDIAN RIDGE



© The information on this page is copyrighted, patented, or owned by Celuplast.

This drawing must not be reproduced in whole or in part without the written permission of Celuplast, and then only with the Celuplast logo attached. All information subject to change without notice.

The information contained in this document is accurate at time of going to print. Celuplast Ltd reserve the right to change any details without notice in order to improve the product. In order to avoid confusion clients should check that the document is the most up to date copy.



FREE PHONE: 0800 0665832
email: info@guardianroof.co.uk
www.guardianroof.co.uk

DRAWING DESCRIPTION:

RINGBEAM, LEAN-TO-RIDGE & RIDGE

DATE: 26-Nov-12

CAD REF: GWR-00.DWG

DWG: GWR-01

SCALE: 1 : 5 @ A3

PROJECT:

CAD DETAILS FOR
THE GUARDIAN WARM ROOF

REV:

-