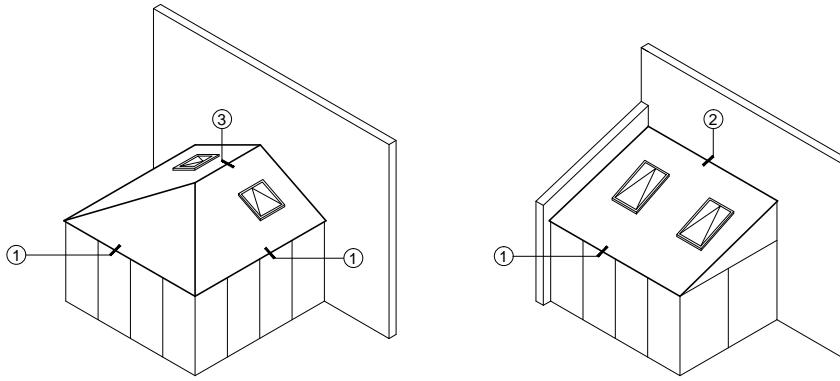
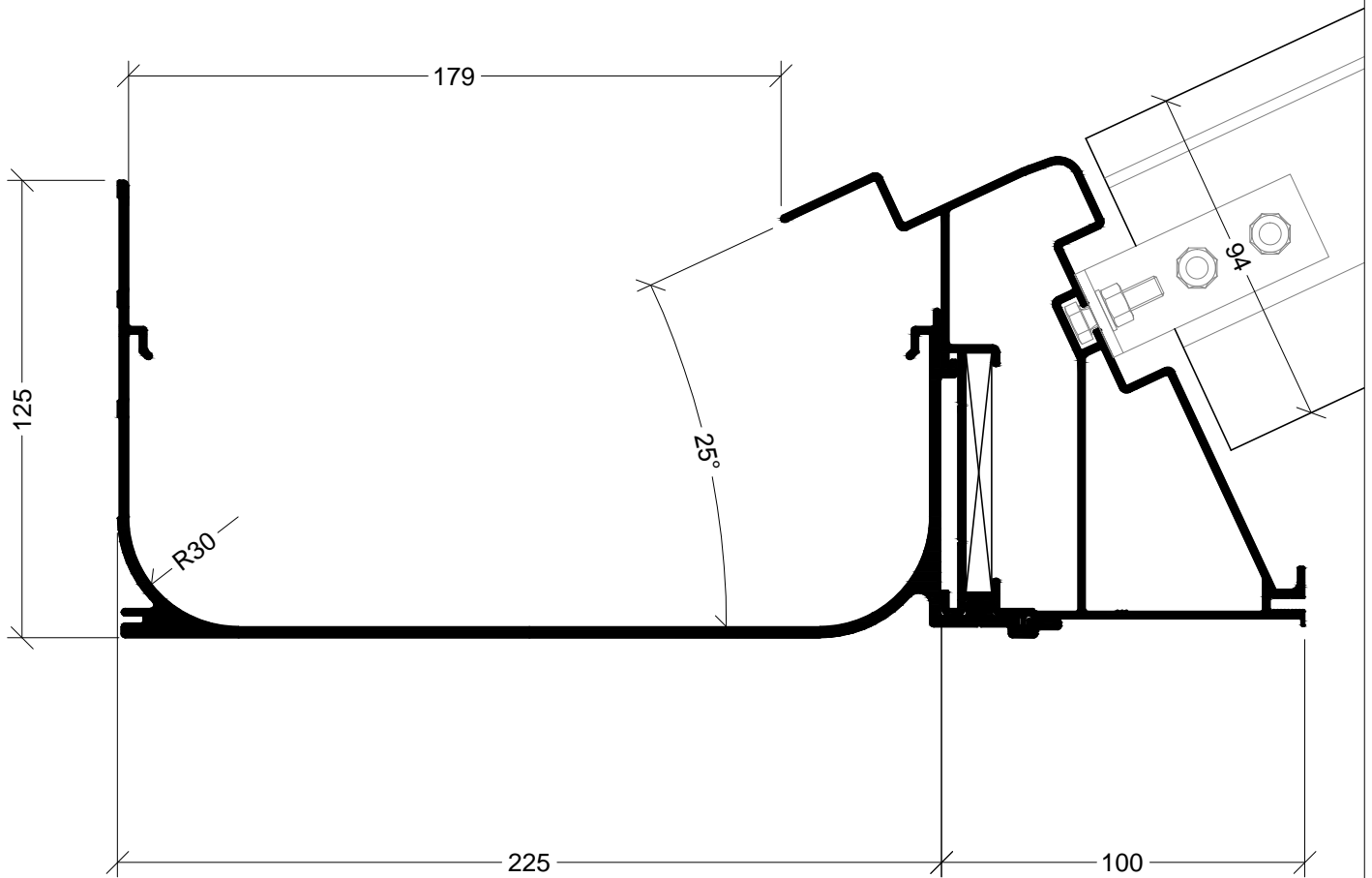


KEY



DETAIL - 1
RINGBEAM & BOX GUTTER



© The information on this page is copyrighted, patented, or owned by Celuplast.

This drawing must not be reproduced in whole or in part without the written permission of Celuplast, and then only with the Celuplast logo attached. All information subject to change without notice.

The information contained in this document is accurate at time of going to print. Celuplast Ltd reserve the right to change any details without notice in order to improve the product.

In order to avoid confusion clients should check that the document is the most up to date copy.

DRAWING DESCRIPTION:
RINGBEAM & BOX GUTTER

DATE: 28-Nov-12

CAD REF:

DWG: GWR-003

SCALE: 1 : 2 @ A4

PROJECT:

REV:


Guardian
Warm Roof

FREE PHONE: 0800 0665832
email: info@guardianroof.co.uk
www.guardianroof.co.uk